

VAN STORAGE EQUIPMENT



NISSAN VAN SOLUTIONS

FOR NV & NV200



WWW.WEATHERGUARD.COM

weather guard

DESIGNED WITH THE PROFESSIONAL IN MIND

WEATHER GUARD® Van Solutions deliver unmatched organization, productivity, and durability, backed by a Limited Lifetime Warranty.



BRITE WHITE® POWDER-COAT

ADJUSTABLE SHELVING

CUSTOMIZED BULKHEAD OPTIONS

SPECIALTY STORAGE & ACCESSORIES

EASY TO CUSTOMIZE

WEATHER GUARD® Van Solutions are ready to roll with game changing improvements based on years of research and your input. Completely retooled shelving, improved bulkheads, customizable organizational features, and a host of smart new accessories, designed around the common sense idea that tools and equipment belong on the shelf, not the floor.

TABLE OF CONTENTS



BASE PACKAGES	4-9
NV, LOW ROOF, 130" WHEEL BASE	4-5
NV, HIGH ROOF, 130" WHEEL BASE	6-7
NV200	8-9
BULKHEADS	10
ADJUSTABLE SHELVING	11
SECURE STORAGE	12
RED ZONE ACCESSORIES	13
ACCESSORIES	14-15
CABINETS	16
DRAWER UNITS	17
ROOF RACKS	18-19



weather guard

CUSTOM CONFIGURATOR

**CUSTOMIZING YOUR VEHICLE
IS AS EASY AS 1-2-3:**

1. Choose your make & model
2. Select a base package
3. Customize & add accessories

To get started, visit www.wgconfigurator.com

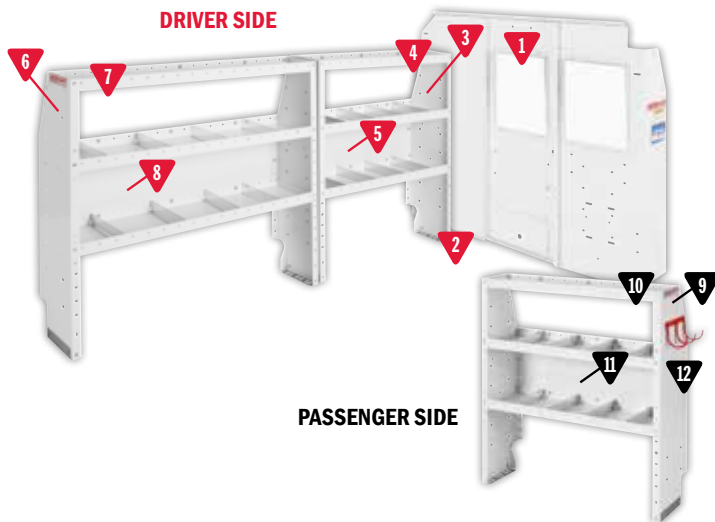
LOW ROOF PACKAGES 130" WHEEL BASE



Create a custom solution that fits your needs
IT'S EASY, FAST AND FLEXIBLE

www.wgconfigurator.com

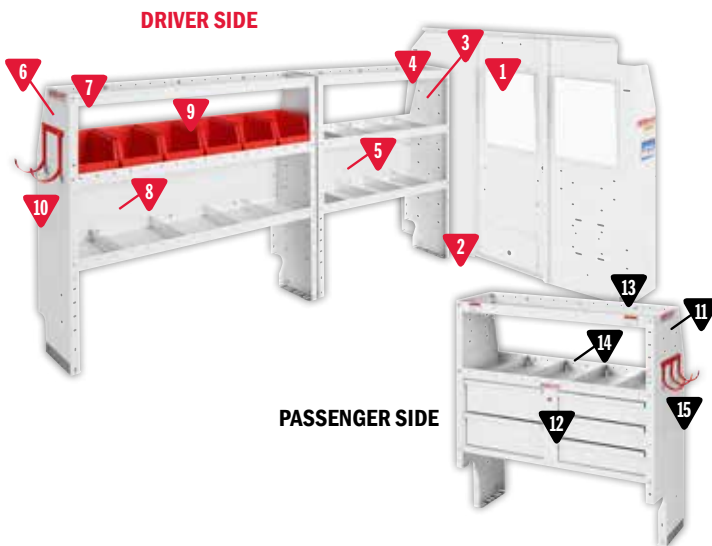
COMMERCIAL / BASE



Commercial Shelving Package, Full-Size 600-8130R

MODEL	DESCRIPTION	QUANTITY
1	96201-3-01 Bulkhead, Nissan Full Size	1
2	96901-3-01 Hinge Kit	1
3	9234-3-01 Tapered End Panel Set, 46 in x 13 in	1
4	9154-3-01 Adjustable 3 Shelf Set, 42 in x 13 in	1
5	9604-3-01 Accessory Back Panel, 42 in	1
6	9234-3-01 Tapered End Panel Set, 46 in x 13 in	1
7	9155-3-01 Adjustable 3 Shelf Set, 52 in x 13 in	1
8	9605-3-01 Accessory Back Panel, 52 in	1
9	9234-3-01 Tapered End Panel Set, 46 in x 13 in	1
10	9154-3-01 Adjustable 3 Shelf Set, 42 in x 13 in	1
11	9604-3-01 Accessory Back Panel, 42 in	1
12	9893-7-01 REDZONE 3 hook cord or tool holder	1
	9720-3-01 Nissan Mounting Bracket Kit	3

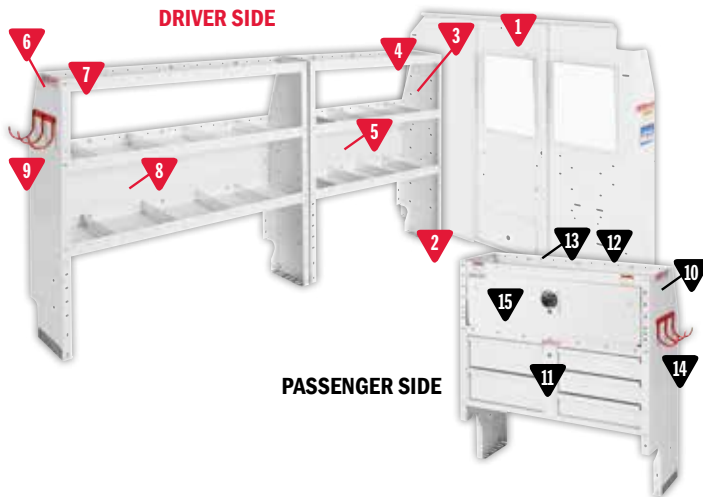
GENERAL SERVICE / CONTRACTOR



General Service/Contractor Package, Full-Size 600-8131R

MODEL	DESCRIPTION	QUANTITY
1	96201-3-01 Bulkhead, Nissan Full Size	1
2	96901-3-01 Hinge Kit	1
3	9234-3-01 Tapered End Panel Set, , 46 in x 13 in	1
4	9154-3-01 Adjustable 3 Shelf Set, 42 in x 13 in	1
5	9604-3-01 Accessory Back Panel, 42 in	1
6	9234-3-01 Tapered End Panel Set, 46 in x 13 in	1
7	9155-3-01 Adjustable 3 Shelf Set, 52 in x 13 in	1
8	9605-3-01 Accessory Back Panel, 52 in	1
9	9859-7-01 REDZONE Medium 6 Bin Set, 13 in	1
10	9892-7-01 REDZONE 2 hook holder (5 in dia)	1
11	9264-3-01 Heavy Duty Tapered End Panel Set, 46 in x 16 in	1
12	9045-3-02 5 Drawer Secure Storage Module 42 in x 17 in x 16 in	1
13	9992-3-01 Van top shelf for Secure Storage shelf units, 42 in x 13 in	1
14	9604-3-01 Accessory Back Panel, 42 in	1
15	9893-7-01 REDZONE 3 hook cord or tool holder	1
	9720-3-01 Nissan Mounting Bracket Kit	3

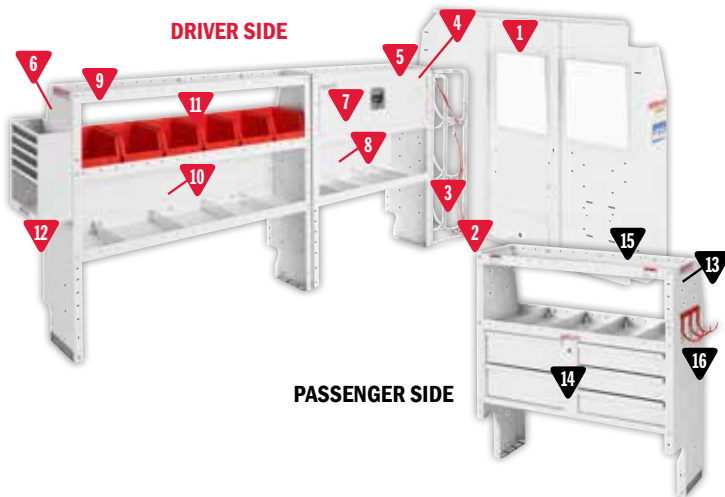
CABLE / PLUMBING



Cable/Plumber Package, Full-Size 600-8132R

MODEL	DESCRIPTION	QUANTITY
1	96201-3-01 Bulkhead, Nissan Full Size	1
2	96901-3-01 Hinge Kit	1
3	9234-3-01 Tapered End Panel Set, 46 in x 13 in	1
4	9154-3-01 Adjustable 3 Shelf Set, 42 in x 13 in	1
5	9604-3-01 Accessory Back Panel, 42 in	1
6	9234-3-01 Tapered End Panel Set, 46 in x 13 in	1
7	9155-3-01 Adjustable 3 Shelf Set, 52 in x 13 in	1
8	9605-3-01 Accessory Back Panel, 52 in	1
9	9893-7-01 REDZONE 3 hook cord or tool holder	1
10	9264-3-01 Heavy Duty Tapered End Panel Set, 46 in x 16 in	1
11	9045-3-02 5 Drawer Secure Storage Module 42 in x 17 in x 16 in	1
12	9992-3-01 Van top shelf for Secure Storage shelf units, 42 in x 13 in	1
13	9604-3-01 Accessory Back Panel, 42 in	1
14	9893-7-01 REDZONE 3 hook cord or tool holder	1
15	9504-3-01 Shelf Door, 42 in	1
	9720-3-01 Nissan Mounting Bracket Kit	3

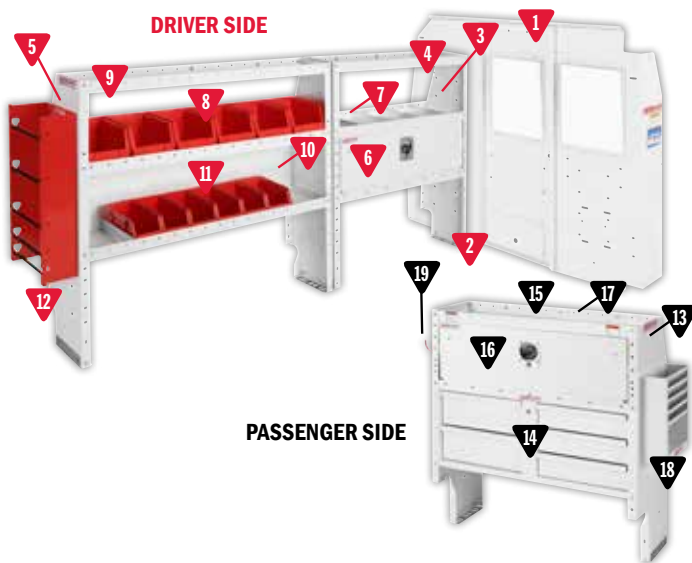
HVAC / MECHANICAL



HVAC/Mechanical Package, Full-Size 600-8133R

MODEL	DESCRIPTION	QUANTITY
1	96201-3-01 Bulkhead, Nissan Full Size	1
2	96901-3-01 Hinge Kit	1
3	9863-3-01 Refrigerant Tank Rack 2x 30#, 1x 50#	1
4	9234-3-01 Tapered End Panel Set, 46 in x 13 in	1
5	9153-3-01 Adjustable 3 Shelf Set, 36 in x 13 in	1
6	9234-3-01 Tapered End Panel Set, 46 in x 13 in	1
7	9503-3-01 Shelf Door, 36 in	1
8	9603-3-01 Accessory Back Panel, 36 in	1
9	9155-3-01 Adjustable 3 Shelf Set, 52 in x 13 in	1
10	9605-3-01 Accessory Back Panel, 52 in	1
11	9859-7-01 REDZONE Medium 6 Bin Set, 13 in	1
12	9880-3-01 Literature Holder 6 compartment	1
13	9264-3-01 Heavy Duty Tapered End Panel Set, 46 in x 16 in	1
14	9045-3-02 5 Drawer Secure Storage Module 42 in x 17 in x 16 in	1
15	9992-3-01 Van top shelf for Secure Storage shelf units, 42 in x 13 in	1
16	9893-7-01 REDZONE 3 hook cord or tool holder	1
	9720-3-01 Nissan Mounting Bracket Kit	3

ELECTRICAL



Electrical Package, Full-Size 600-8134R

MODEL	DESCRIPTION	QUANTITY
1	96201-3-01 Bulkhead, Nissan Full Size	1
2	96901-3-01 Hinge Kit	1
3	9234-3-01 Tapered End Panel Set, 46 in x 13 in	1
4	9154-3-01 Adjustable 3 Shelf Set, 42 in x 13 in	1
5	9234-3-01 Tapered End Panel Set, 46 in x 13 in	1
6	9504-3-01 Shelf Door, 42 in	1
7	9604-3-01 Accessory Back Panel, 42 in	1
8	9859-7-01 REDZONE Medium 6 Bin Set, 13 in	1
9	9155-3-01 Adjustable 3 Shelf Set, 52 in x 13 in	1
10	9605-3-01 Accessory Back Panel, 52 in	1
11	9858-7-01 REDZONE Small 6 Bin Set, 13 in	1
12	9882-7-01 REDZONE Wire Spool Holder End Mount	1
13	9264-3-01 Heavy Duty Tapered End Panel Set, 46 in x 16 in	1
14	9045-3-02 5 Drawer Secure Storage Module 42 in x 17 in x 16 in	1
15	9992-3-01 Van top shelf for Secure Storage shelf units, 42 in x 13 in	1
16	9504-3-01 Shelf Door, 42 in	1
17	9604-3-01 Accessory Back Panel, 42 in	1
18	9880-3-01 Literature Holder 6 compartment	1
19	9893-7-01 REDZONE 3 hook cord or tool holder	1
	9720-3-01 Nissan Mounting Bracket Kit	3

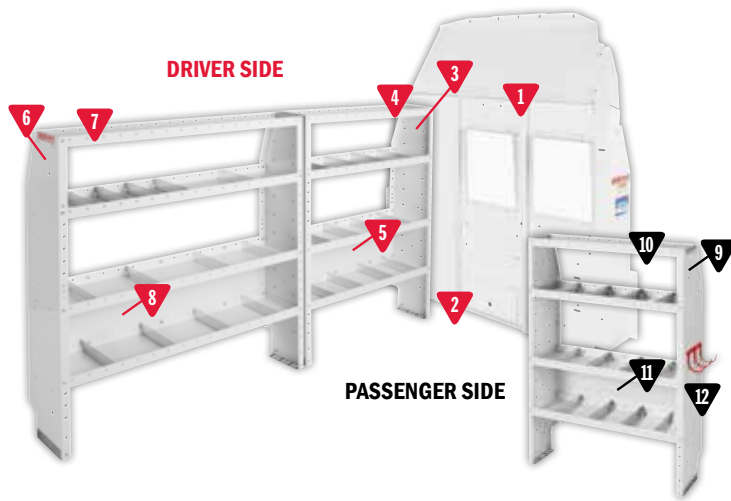
HIGH ROOF PACKAGES 130" WHEEL BASE



Create a custom solution that fits your needs
IT'S EASY, FAST AND FLEXIBLE

www.wgconfigurator.com

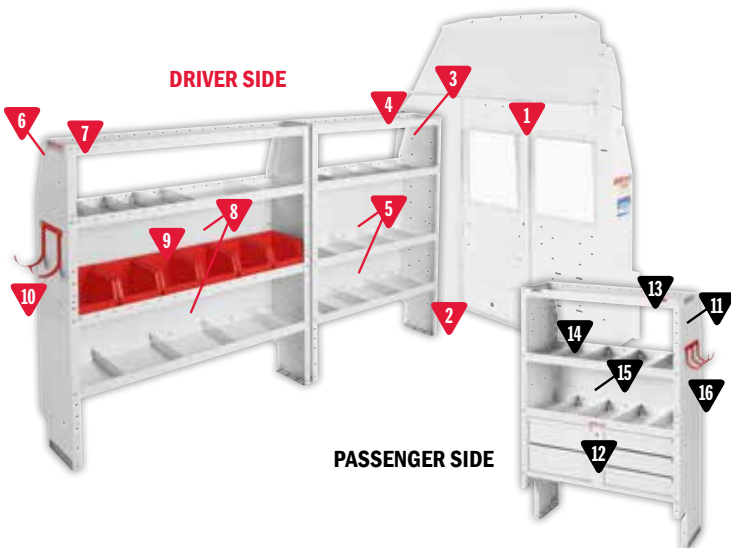
COMMERCIAL / BASE



Commercial Shelving Package, High-Roof 600-8430R

MODEL	DESCRIPTION	QUANTITY
1	96201-3-01 Bulkhead, Nissan Full Size	1
2	96901-3-01 Hinge Kit	1
3	9236-3-01 Tapered End Panel Set, 60 in x 13 in	1
4	9074-3-01 Adjustable 4 Shelf Set, 42 in x 13 in	1
5	9604-3-01 Accessory Back Panel, 42 in	1
6	9236-3-01 Tapered End Panel Set, 60 in x 13 in	1
7	9075-3-01 Adjustable 4 Shelf Set, 52 in x 13 in	1
8	9605-3-01 Accessory Back Panel, 52 in	1
9	9236-3-01 Tapered End Panel Set, 60 in x 13 in	1
10	9074-3-01 Adjustable 4 Shelf Set, 42 in x 13 in	1
11	9604-3-01 Accessory Back Panel, 42 in	1
12	9893-7-01 REDZONE 3 hook cord or tool holder	1
	9720-3-01 Nissan Mounting Bracket Kit	3

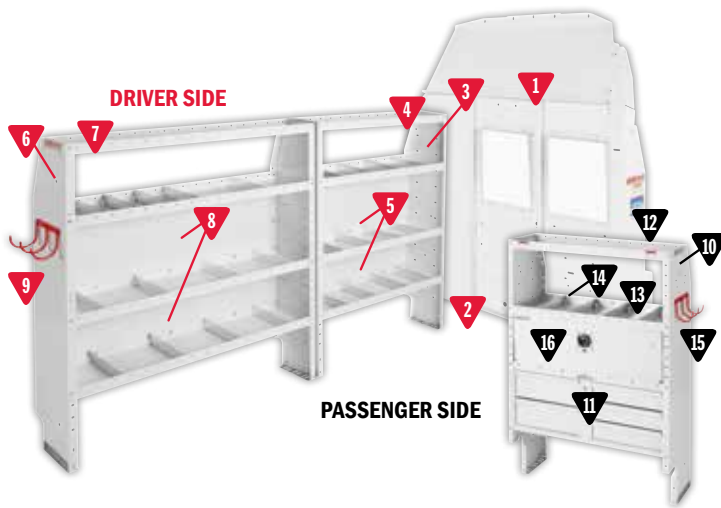
GENERAL SERVICE / CONTRACTOR



General Service/Contractor Package, High-Roof 600-8431R

MODEL	DESCRIPTION	QUANTITY
1	96201-3-01 Bulkhead, Nissan Full Size	1
2	96901-3-01 Hinge Kit	1
3	9236-3-01 Tapered End Panel Set, 60 in x 13 in	1
4	9074-3-01 Adjustable 4 Shelf Set, 42 in x 13 in	1
5	9604-3-01 Accessory Back Panel, 42 in	2
6	9236-3-01 Tapered End Panel Set, 60 in x 13 in	1
7	9075-3-01 Adjustable 4 Shelf Set, 52 in x 13 in	1
8	9605-3-01 Accessory Back Panel, 52 in	2
9	9859-7-01 REDZONE Medium 6 Bin Set, 13 in	1
10	9892-7-01 REDZONE 2 hook holder (5 in dia)	1
11	9266-3-01 Heavy Duty Tapered End Panel Set, 62 in x 16 in	1
12	9045-3-02 5 Drawer Secure Storage Module 42 in x 17 in x 16 in	1
13	9992-3-01 Van top shelf for Secure Storage shelf units, 42 in x 13 in	1
14	9164-3-01 Accessory Shelf, 42 in x 16 in	1
15	9604-3-01 Accessory Back Panel, 42 in	1
16	9893-7-01 REDZONE 3 hook cord or tool holder	1
	9720-3-01 Nissan Mounting Bracket Kit	3

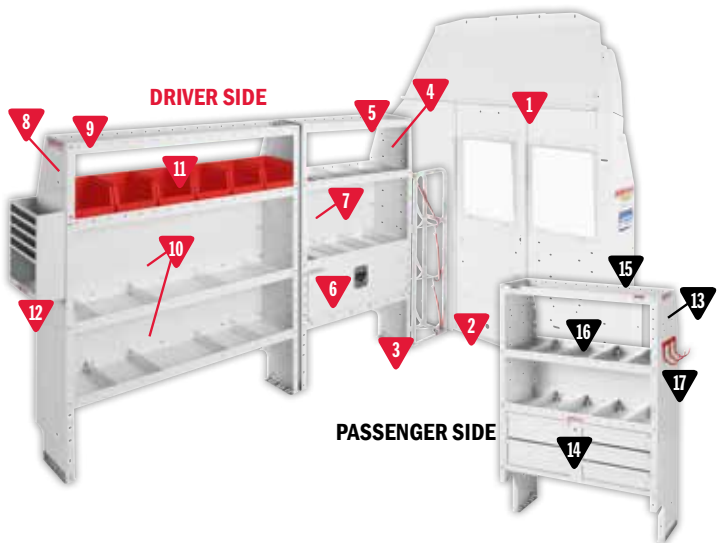
CABLE / PLUMBING



Cable/Plumber Package, High-Roof 600-8432R

MODEL	DESCRIPTION	QUANTITY
1	96201-3-01 Bulkhead, Nissan Full Size	1
2	96901-3-01 Hinge Kit	1
3	9236-3-01 Tapered End Panel Set, 60 in x 13 in	1
4	9074-3-01 Adjustable 4 Shelf Set, 42 in x 13 in	1
5	9604-3-01 Accessory Back Panel, 42 in	2
6	9236-3-01 Tapered End Panel Set, 60 in x 13 in	1
7	9075-3-01 Adjustable 4 Shelf Set, 52 in x 13 in	1
8	9605-3-01 Accessory Back Panel, 52 in	2
9	9893-7-01 REDZONE 3 hook cord or tool holder	1
10	9266-3-01 Heavy Duty Tapered End Panel Set, 62 in x 16 in	1
11	9045-3-02 5 Drawer Secure Storage Module 42 in x 17 in x 16 in	1
12	9992-3-01 Van top shelf for Secure Storage shelf units, 42 in x 13 in	1
13	9164-3-01 Accessory Shelf, 42 in x 16 in	1
14	9604-3-01 Accessory Back Panel, 42 in	1
15	9893-7-01 REDZONE 3 hook cord or tool holder	1
16	9504-3-01 Shelf Door, 42 in	1
9720-3-01	Nissan Mounting Bracket Kit	3

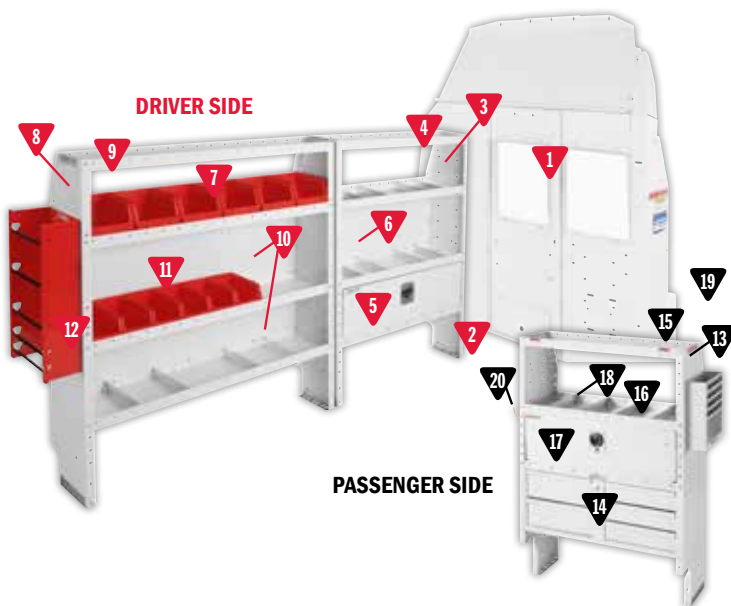
HVAC / MECHANICAL



HVAC/Mechanical Package, High-Roof 600-8433R

MODEL	DESCRIPTION	QUANTITY
1	96201-3-01 Bulkhead, Nissan Full Size	1
2	96901-3-01 Hinge Kit	1
3	9863-3-01 Refrigerant Tank Rack 2x 30#, 1x 50#	1
4	9236-3-01 Tapered End Panel Set, 60 in x 13 in	1
5	9073-3-01 Adjustable 4 Shelf Set, 36 in x 13 in	1
6	9503-3-01 Shelf Door, 36 in	1
7	9603-3-01 Accessory Back Panel, 36 in	2
8	9236-3-01 Tapered End Panel Set, 60 in x 13 in	1
9	9075-3-01 Adjustable 4 Shelf Set, 52 in x 13 in	1
10	9605-3-01 Accessory Back Panel, 52 in	2
11	9859-7-01 REDZONE Medium 6 Bin Set, 13 in	1
12	9880-3-01 Literature Holder 6 compartment	1
13	9266-3-01 Heavy Duty Tapered End Panel Set, 62 in x 16 in	1
14	9045-3-02 5 Drawer Secure Storage Module 42 in x 17 in x 16 in	1
15	9992-3-01 Van top shelf for Secure Storage shelf units, 42 in x 13 in	1
16	9164-3-01 Accessory Shelf, 42 in x 16 in	1
17	9893-7-01 REDZONE 3 hook cord or tool holder	1
9720-3-01	Nissan Mounting Bracket Kit	3

ELECTRICAL



Electrical Package, High-Roof 600-8434R

MODEL	DESCRIPTION	QUANTITY
1	96201-3-01 Bulkhead, Nissan Full Size	1
2	96901-3-01 Hinge Kit	1
3	9236-3-01 Tapered End Panel Set, 60 in x 13 in	1
4	9074-3-01 Adjustable 4 Shelf Set, 42 in x 13 in	1
5	9504-3-01 Shelf Door, 42 in	1
6	9604-3-01 Accessory Back Panel, 42 in	2
7	9859-7-01 REDZONE Medium 6 Bin Set, 13 in	1
8	9236-3-01 Tapered End Panel Set, 60 in x 13 in	1
9	9075-3-01 Adjustable 4 Shelf Set, 52 in x 13 in	1
10	9605-3-01 Accessory Back Panel, 52 in	2
11	9858-7-01 REDZONE Small 6 Bin Set, 13 in	1
12	9882-7-01 REDZONE Wire Spool Holder End Mount	1
13	9266-3-01 Heavy Duty Tapered End Panel Set, 62 in x 16 in	1
14	9045-3-02 5 Drawer Secure Storage Module 42 in x 17 in x 16 in	1
15	9992-3-01 Van top shelf for Secure Storage shelf units, 42 in x 13 in	1
16	9164-3-01 Accessory Shelf, 42 in x 16 in	1
17	9504-3-01 Shelf Door, 42 in	1
18	9604-3-01 Accessory Back Panel, 42 in	1
19	9880-3-01 Literature Holder 6 compartment	1
20	9893-7-01 REDZONE 3 hook cord or tool holder	1
9720-3-01	Nissan Mounting Bracket Kit	3

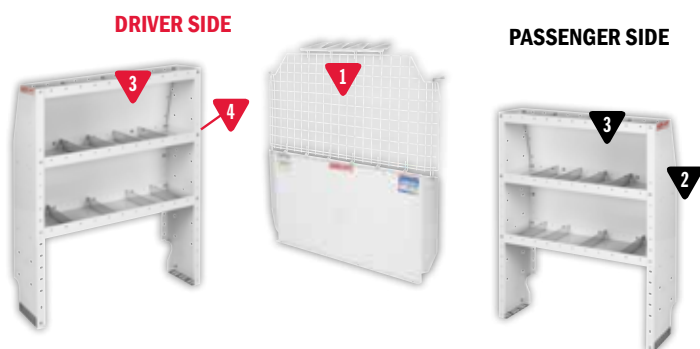
NISSAN NV200 PACKAGES



Create a custom solution that fits your needs
IT'S EASY, FAST AND FLEXIBLE

www.wgconfigurator.com

COMMERCIAL / BASE



Commercial / Base 600-8320

MODEL	DESCRIPTION	QUANTITY
1	96114-3-01 Bulkhead, Nissan NV200	1
2/2	9234-3-01 Tapered End Panel Set(46"H x 13"D)	2
3/3	9153-3-01 Adjustable 3 Shelf Set 36" x 13"	2
4	9603-3-01 Accessory Back Panel, 36"	4

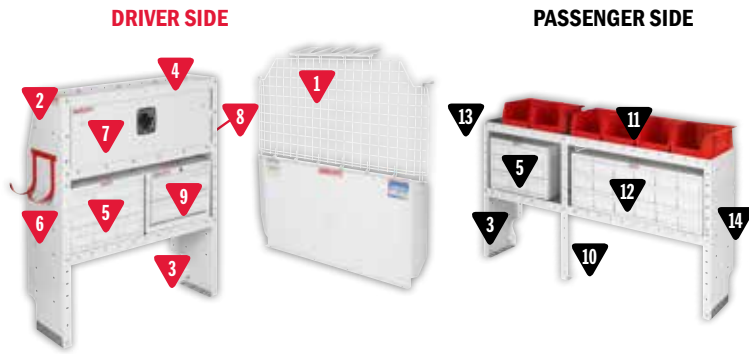
GENERAL SERVICE



General Service 600-8321

MODEL	DESCRIPTION	QUANTITY
1	96114-3-01 Bulkhead, Nissan NV200	1
2/2	9233-3-01 Adjustable End Panel Set 36" x 13"	2
3/3	9176-3-01 Adjustable 2 Shelf Set 60" x 13"	2
4	9606-3-01 Accessory Back Panel, 60"	1
5	9859-7-01 REDZONE Medium 6 Bin Set 13"	1
6	9740-3-01 Shelf Support for 60" shelves, 46"H	2
7	9893-7-01 REDZONE 3 hook cord or tool holder	1
8	9993-3-01 Shelf Accessory Mounting kit, 13" deep shelf	3
9	9912-3-02 2 Drawer Cabinet 16"x14"x12"	1
10	9909-3-02 Parts Cabinet 9 Bin 16"x12"x12"	2

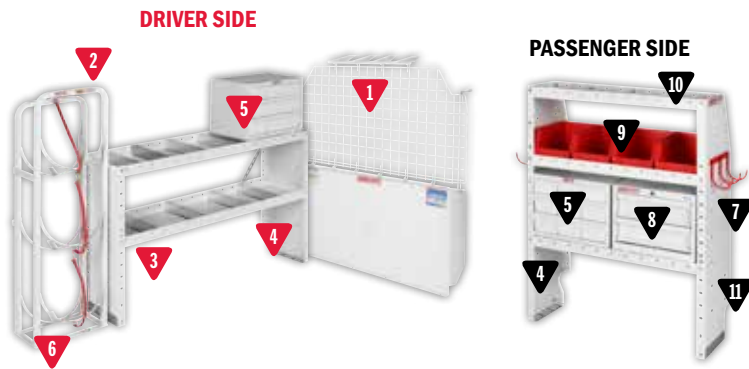
CABLE / PLUMBING



Cable / Plumbing 600-8322

	MODEL	DESCRIPTION	QUANTITY
1	96114-3-01	Bulkhead, Nissan NV200	1
2	9234-3-01	Tapered End Panel Set 46"H x 13"D	1
3/3	9993-3-01	Shelf Accessory Mounting kit, 13" deep shelf	4
4	9153-3-01	Adjustable 3 Shelf Set 36" x 13"	1
5/5	9909-3-02	Parts Cabinet 9 Bin 16"x12"x12"	2
6	9892-7-01	REDZONE 2 hook holder (5" dia)	1
7	9503-3-01	Shelf Door, 36"	1
8	9603-3-01	Accessory Back Panel, 36"	1
9	9912-3-02	2 Drawer Cabinet 16"x14"x12"	1
10	9740-3-01	Shelf Support for 60" shelves, 46"H	1
11	9859-7-01	REDZONE Medium 6 Bin Set 13"	1
12	9918-3-02	Parts Cabinet 18 Bin 32"x12"x12"	1
13	9176-3-01	Adjustable 2 Shelf Set 60" x 13"	1
14	9233-3-01	Adjustable End Panel Set 36" x 13"	1

HVAC / MECHANICAL



HVAC / Mechanical 600-8323

	MODEL	DESCRIPTION	QUANTITY
1	96114-3-01	Bulkhead, Nissan NV200	1
2	9235-3-01	End Panel Set 36"H x 13"D	1
3	9175-3-01	Adjustable 2 Shelf Set 60" x 13"	1
4/4	9993-3-01	Shelf Accessory Mounting kit, 13" deep shelf	3
5/5	9909-3-02	Parts Cabinet 9 Bin 16"x12"x12"	2
6	9863-3-01	Refrigerant Tank Rack 2x30#, 1x50#	1
7	9893-7-01	REDZONE 3 hook cord or tool holder	1
8	9912-3-02	2 Drawer Cabinet 16"x14"x12"	1
9	9859-7-01	REDZONE Medium 6 Bin Set 13"	1
10	9153-3-01	Adjustable 3 Shelf Set 36" x 13"	1
11	9234-3-01	Tapered End Panel Set 46"H x 13"D	1

ELECTRICAL CONTRACTOR



Electrical Contractor 600-8324

	MODEL	DESCRIPTION	QUANTITY
1	96114-3-01	Bulkhead, Nissan NV200	1
2	9233-3-01	End Panel Set 46"H x 13"D	1
3	9176-3-01	Adjustable 2 Shelf Set 60" x 13"	1
4	9859-7-01	REDZONE Medium 6 Bin Set 13"	1
5/5	9893-7-01	REDZONE 3 hook cord or tool holder	2
6	9993-3-01	Shelf Accessory Mounting kit, 13" deep shelf	2
7	9503-3-01	Shelf Door, 36"	1
8	9909-3-02	Parts Cabinet 9 Bin 16"x12"x12"	1
9	9912-3-02	2 Drawer Cabinet 16"x14"x12"	1
10	9153-3-01	Adjustable 3 Shelf Set 36" x 13"	1
11	9603-3-01	Accessory Back Panel, 36"	1
12	9234-3-01	Tapered End Panel Set 46"H x 13" D	1

BULKHEADS

Our van bulkheads allow you to separate the driver compartment from the cargo area for maximum protection against shifting loads. Exclusive polycarbonate windows improve visibility and safety. Tighter panel design ensures cabin comfort, both noise and temperature. Several bulkhead accessories are available to keep you organized.



96201-3-01



96114-3-01

96514-3-01

Low Roof & High Roof Bulkhead for Full Size Nissan

MODEL	DESCRIPTION	WEIGHT
96201-3-01	Window Bulkhead	95 lbs.
96901-3-01	Swing Door Conversion Kit	3 lbs.

Bulkhead for Nissan NV200 Van

Window bulkheads offer unobstructed visibility of the cargo area, side door, and rear door. Maximizes comfort in the passenger area. Lightweight mesh bulkheads deliver full driver and cargo protection.

MODEL	DESCRIPTION	WEIGHT
96114-3-01	Nissan NV200 Mesh Bulkhead	35 lbs.
96514-3-01	Nissan NV200 Window Bulkhead	40 lbs.

DESIGNED WITH THE PROFESSIONAL IN MIND

WEATHER GUARD® Van Solutions are ready to roll with game changing improvements based on years of research and your input. Completely retooled shelving, improved bulkheads, customizable organizational features, and a host of smart new accessories, designed around the common sense idea that tools and equipment belong on the shelf, not the floor.



ADJUSTABLE SHELVING

Heavy Duty shelves are 16" deep and include floor clearance and cargo tie down caps for maximum storage. Space-saving 13" deep adjustable shelving stores more and lasts longer than lightweight 14" deep shelves.

End panels and shelf fronts are designed for easy customization. Shelves can be quickly adjusted up or down. Assembly and installation is faster and easier than ever.

17° TAPERED END PANEL CLOSER FIT

for more working space inside the van

FRONT FLOOR CLEARANCE (16" SHELVES ONLY)

for material storage. Fits PACK RAT® Drawer Units.

UNMATCHED DURABILITY

achieved with heavy duty 18 gauge steel construction

FLAT FRONTS

on 13" deep adjustable shelves. Mount doors and accessories at floor level

ADJUSTABLE DIVIDERS

One set of four 16" Standard Dividers or four 13" Narrow Dividers included for each shelf.

END CAPS AVAILABLE

(16" SHELVES ONLY) for material storage and load tie-down

EASY TO CUSTOMIZE

with pre-punched mounting holes for WEATHER GUARD® accessories and adjustable dividers

DEEP FULLY HEMMED SHELVES

sized for tools, equipment, and other materials



WEATHER GUARD® EXCLUSIVE!



Shelf Units: Ships as one each of:

MODEL	END PANEL KIT	SHELF KIT	HEIGHT	WIDTH	DEPTH	SHELVES	DIVIDERS	WEIGHT
9333-3-02	9233-3-01	9173-3-01	36"	36"	13"	2	8	48 lbs.
9334-3-02	9233-3-01	9174-3-01	36"	42"	13"	2	8	48 lbs.
9336-3-02	9233-3-01	9176-3-01	36"	60"	13"	2	8	70 lbs.
9343-3-02	9264-3-01	9183-3-01	46"	36"	16"	3	12	74 lbs.
9344-3-02	9264-3-01	9184-3-01	46"	42"	16"	3	12	80 lbs.
9345-3-02	9264-3-01	9185-3-01	46"	52"	16"	3	12	85 lbs.
9346-3-02	9264-3-01	9186-3-01	46"	60"	16"	3	12	104 lbs.
9353-3-01	9234-3-01	9153-3-01	46"	36"	13"	3	8	53 lbs.
9354-3-01	9234-3-01	9154-3-01	46"	42"	13"	3	8	57 lbs.
9355-3-01	9234-3-01	9155-3-01	46"	52"	13"	3	8	66 lbs.
9356-3-01	9234-3-01	9156-3-01	46"	60"	13"	3	8	73 lbs.
9363-3-02	9266-3-01	9193-3-01	62"	36"	16"	4	16	92 lbs.
9364-3-02	9266-3-01	9194-3-01	62"	42"	16"	4	16	94 lbs.
9365-3-02	9266-3-01	9195-3-01	62"	52"	16"	4	16	110 lbs.
9366-3-02	9266-3-01	9196-3-01	62"	60"	16"	4	16	136 lbs.
9373-3-01	9236-3-01	9073-3-01	60"	36"	13"	4	12	76 lbs.
9374-3-01	9236-3-01	9074-3-01	60"	42"	13"	4	12	94 lbs.
9375-3-01	9236-3-01	9075-3-01	60"	52"	13"	4	12	110 lbs.
9376-3-01	9236-3-01	9076-3-01	60"	60"	13"	4	12	136 lbs.

SECURE STORAGE

Add extra security and theft-resistance for valuable tools and equipment with WEATHER GUARD® Secure Storage shelf units. Multiple door and drawer modules easily assemble into shelving. Our welded steel construction and heavy-duty locking mechanism ensures peace of mind on the job or in the parking lot.

! UNMATCHED DURABILITY
box construction strengthens and rigidizes shelf unit

! EXTRA LARGE STEEL DRAWERS
17"x14"x4" or 6" with ball bearing slides rated at 75 pounds per drawer

! HIGH SECURITY
welded steel box and shelf construction

! FAST AND EASY ASSEMBLY
modules bolt to end panels. Add top shelf to complete unit.

! FULLY FUNCTIONAL 16" SECURE MODULE TOP
designed like a 16" shelf for additional storage

! UNMATCHED ORGANIZATION & EFFICIENCY
with no wasted space below or between drawers



WEATHER GUARD® EXCLUSIVE!



Secure Storage Shelf Units (42" Wide)

MODEL	DESCRIPTION	HEIGHT	DIVIDERS	WEIGHT
Full Size Vans				
9380-3-02	With Door Module	46"	8	117 lbs.
9385-3-02	With 5 Drawer Module	46"	8	148 lbs.
High Roof Vans				
9390-3-02	With Door Module	62"	8	125 lbs.
9395-3-02	With 5 Drawer Module	62"	8	156 lbs.
Storage Module Only (for 42" wide shelf units)				
9040-3-01	Door Module			47 lbs.
9045-3-02	5 Drawer Module			78 lbs.



Door Module
9040-3-01



5 Drawer
Module
9045-3-02

Secure Storage Service Parts xx- Designates key code Specify key code 11-20 when ordering

MODEL	DESCRIPTION	WEIGHT
70206-xx	Replacement Lock Kit	117 lbs.
70210-xx	Key Kit	1 lb.
70211-xx	Replacement D Handle Kit	1 lb.

RED ZONE ACCESSORIES

Looking for parts and supplies won't slow you down with new and re-engineered REDZONE van storage accessories. Organizers and holders keep frequently used items in easy reach for maximum productivity. Tool cabinets, parts bin boxes, and locking storage keep small components organized.

POWDER COAT FINISH

provides durability

EASY TO INSTALL

to shelf end panels, bulkheads, and door

CUSTOMIZED ORGANIZATION

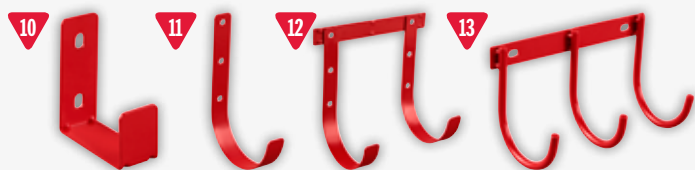
for supplies and tools

HEAVY DUTY 18 GAUGE STEEL CONSTRUCTION

makes for tough, long lasting accessories



NEW! HOOKS AND BRACKETS



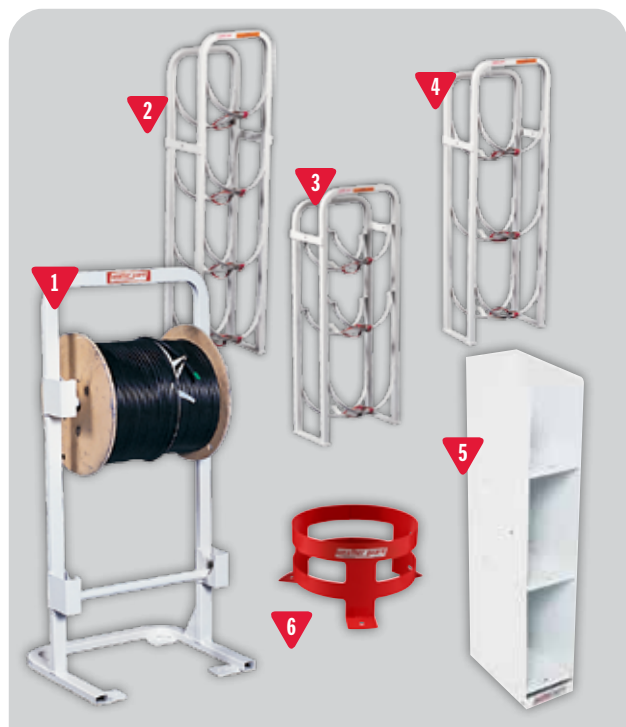
NEW! BUCKET AND TANK HOLDERS



REDZONE Accessories

	MODEL	DESCRIPTION	HEIGHT	WIDTH	DEPTH	WEIGHT	
	1	9874-7-01	Can Organizer	9.8"	12"	4"	3 lbs.
	2	9878-7-01	Cleaning Station	15½"	13"	7"	10 lbs.
	3	9879-7-01	Tool Organizer	5½"	15"	4"	3 lbs.
	4	9881-7-01	Caulk Tube Tray	7½"	13½"	7½"	5 lbs.
	5	9882-7-01	Wire Spool Holder End Mount	26"	14"	6"	12 lbs.
NEW!	6	9883-7-01	Large Parts Bin	14"	7"	13"	6 lbs.
NEW!	7	9884-7-01	Medium Parts Bin	6½"	7"	13"	4 lbs.
NEW!	8	9885-7-01	5 Gallon Bucket Holder	6¼"	11¼"	11¼"	4 lbs.
NEW!	9	9886-7-01	30# Refrigerant Tank Holder	10¾"	9¾"	9¾"	5 lbs.
NEW!	10	9887-7-01	Ladder Holder	4"	1½"	3½"	10 lbs.
NEW!	11	9891-7-01	Large Hook (5" Dia)	8"	1½"	5"	10 lbs.
NEW!	12	9892-7-01	2 Hook Holder (5" Dia)	8"	9"	5"	29 lbs.
NEW!	13	9893-7-01	3 Hook Cord Or Tool Holder	5½"	9"	4½"	39 lbs.

ACCESSORIES



Floor Mounted Accessories

MODEL	DESCRIPTION	HEIGHT	WIDTH	DEPTH	WEIGHT
1	9866-3-01 Cable spool holder	42½"	19¾"	16¼"	37 lbs.
2	9862-3-01 3 - 50 lb. tank holder	45½"	15½"	8"	31 lbs.
3	9863-3-01 2 - 30 lb., 1 - 50 lb. tank holder	40"	15½"	8"	27 lbs.
4	9864-3-01 4-30 lb. tank holder	48½"	13"	8"	31 lbs.
5	9860-3-01 Catalog file unit	36"	6"	12"	16 lbs.
6	9885-7-01 5 Gallon Bucket Holder	6¼"	11¼"	11¼"	8 lbs.



Door Trays and Literature Holders

MODEL	HEIGHT	WIDTH	DEPTH	WEIGHT	
1	9871-3-01	21¾"	20¼"	—	19 lbs.
2	9872-3-01	21¾"	20¼"	—	18 lbs.
3	9873-3-01	21¾"	20¼"	—	19 lbs.
4	9980-3-01	15"	13"	4¾"	11 lbs.

GRAB & GO TOOL CART !

Our new, modular 3-piece rolling tool chest puts those tools and parts used on every job at your fingertips. Heavy-duty construction keeps your productivity rolling for years to come.

- Modular, 3-piece rolling tool chest
- Sliding drawer unit
- Removable tool box with steel tray
- Tilt-out storage bin
- Telescoping handle

Grab & Go Tool Cart

MODEL	HEIGHT	WIDTH	DEPTH	BOXES	WEIGHT
9953-7-01	28½"	20"	12"	3	24 lbs.



WEATHER GUARD® EXCLUSIVE!



ACCESSORIES



Model 89011

Van Floor Mats

MODEL	VAN TYPE	WEIGHT
89011	70" x 124" rectangular, must be cut to fit any style vans	55 lbs.

Floor mats protect the van floor from normal wear and tear, prevent cargo from shifting, and reduce noise.



Shelf Doors with High Security D Handle Lock mount to shelf units or to retainer lips. Single point D-handle lock for added security. Allow seven mounting holes shelf to shelf spacing

MODEL	HEIGHT	WIDTH	WEIGHT
9503-3-01	10½"	36"	13 lbs.
9504-3-01	10½"	42"	17 lbs.
9505-3-01	10½"	52"	21 lbs.
9506-3-01	10½"	60"	25 lbs.

Light Weight Shelf Back Panels

lightweight, finished appearance

MODEL	HEIGHT	WIDTH	WEIGHT
9603-3-01	13½"	36"	2 lbs.
9604-3-01	13½"	42"	3 lbs.
9605-3-01	13½"	52"	4 lbs.
9606-3-01	13½"	60"	5 lbs.

Retainer Lips

keeps items in place under shelf units

MODEL	HEIGHT	WIDTH	DEPTH	WEIGHT
9703-3-01	4"	36"	2"	1 lb.
9704-3-01	4"	42"	2"	1 lb.
9705-3-01	4"	52"	2"	2 lbs.
9706-3-01	4"	60"	2"	2 lbs.



Locking Storage & CATV Cabinets

MODEL	SHELVES	HEIGHT	WIDTH	DEPTH	WEIGHT
1 9020-3-01	N/A	22"	18"	16"	25 lbs.
2 9021-3-01	2*	22"	18"	16"	35 lbs.
3 9029-3-01	N/A	22"	18"	16"	25 lbs.
4 8313-3	N/A	20"	20"	17½"	25 lbs.
5 8316-3	4*	21"	20"	14"	43 lbs.

*Removable Shelves

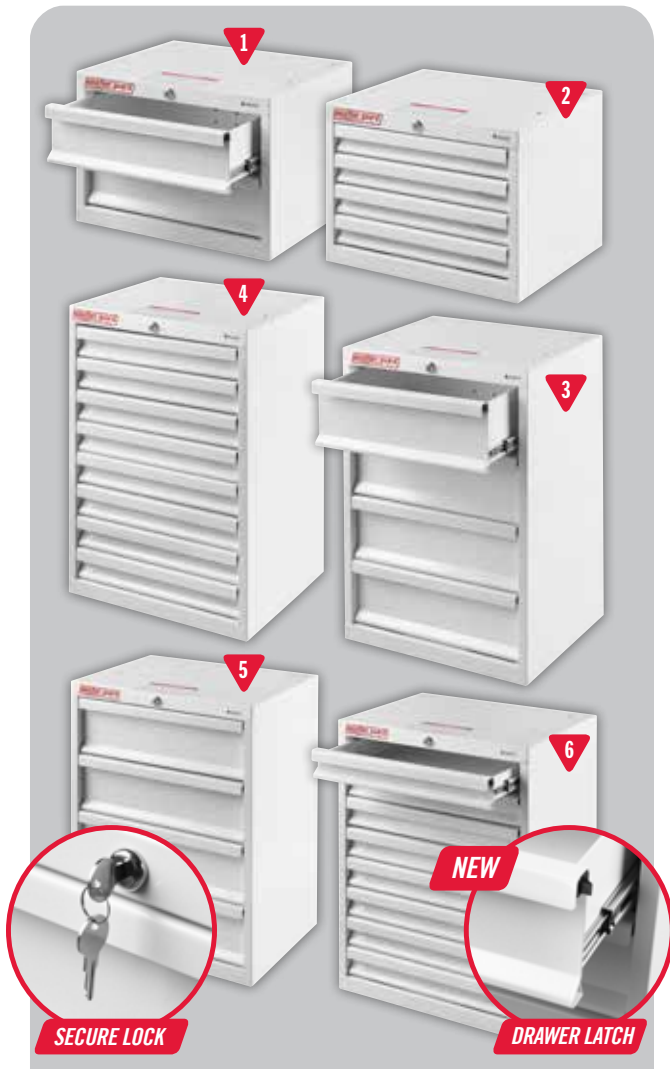


Bin Sets

sturdy plastic bins sized to fit 16" deep or new 13" deep adjustable van shelving

MODEL	HEIGHT	WIDTH	DEPTH	BINS	WEIGHT
9854-7-01	5"	5½"	14¾"	9	8 lbs.
9855-7-01	7"	8¼"	14¾"	6	10 lbs.
9856-7-01	7"	16½"	14¾"	3	8 lbs.
9858-7-01	5"	5½"	10⅞"	6	8 lbs.
9859-7-01	7"	7"	10⅞"	6	8 lbs.

CABINETS



Mechanics Grade Tool Cabinets

High quality and durable mechanics grade tool cabinets for your van feature easy-to-grip handles and smooth ball-bearing rollers.

MODEL	DRAWERS	HEIGHT	WIDTH	DEPTH	WEIGHT
9912-3-02	2	12"	16"	13 ⁷ / ₁₀ "	26 lbs.
9914-3-02	4	12"	16"	13 ⁷ / ₁₀ "	32 lbs.
9924-3-02	4	24"	16"	13 ⁷ / ₁₀ "	48 lbs.
9928-3-02	8	24"	16"	13 ⁷ / ₁₀ "	60 lbs.
9984-3-01	4	24"	18"	14"	53 lbs.
9988-3-01	8	24"	18"	14"	60 lbs.

High quality, durable Drawer Cabinets feature latches for each drawer, smooth ball-bearing rollers, and secure locks that can be keyed alike. Bin Cabinets feature hook and loop fasteners to securely hold bins in place. Innovative mounting rails speed assembly. Attach rails to cabinet and bolt to shelf. Easy to move from shelf to shelf as your needs change. **Order mounting kit separately and specify shelf size when ordering. Mounting kits are not included with cabinets.**



Parts Bin Boxes & Cabinets

MODEL	BINS	HEIGHT	WIDTH	DEPTH	WEIGHT
1 9906-3-02	6	4½"	32½"	11¾"	18 lbs.
2 9909-3-02	9	12"	17"	11¾"	28 lbs.
3 9918-3-02	18	12"	32½"	11¾"	54 lbs.
4 9950-7-02*	N/A	12 ³ / ₅ "	20 ³ / ₁₀ "	14 ² / ₅ "	4 lbs.
5 9951-9-01	N/A	3"	18½"	13"	3 lbs.
Special Order Cabinets (Call for availability. Longer lead time required.)					
6 8908-3	8	8½"	22"	11¾"	24 lbs.
7 8931-3*	-	15¾"	21¾"	12¾"	28 lbs.

*Parts cases not included



Mounting Brackets & Divider Kits

MODEL	DESCRIPTION	WEIGHT
9993-3-01	Mounting bracket kit for 13" shelves	1 lb.
9996-3-01	Mounting bracket kit for 16" shelves	1 lb.
9822-3-01	Divider kit for narrow drawers, (optional)	2 lbs.
9824-3-01	Divider kit for deep drawers, (optional)	2 lbs.

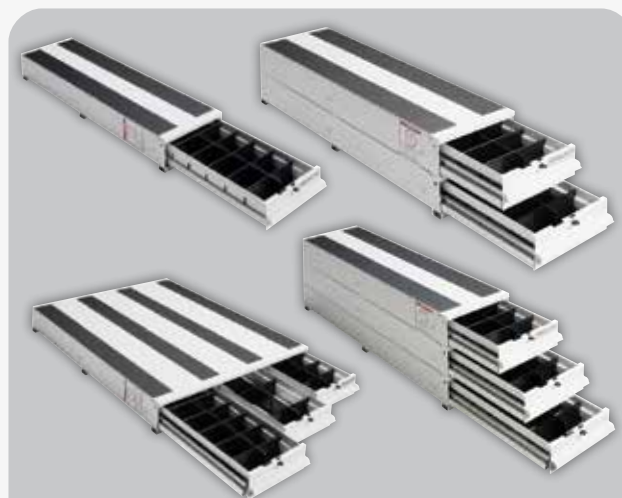
Drawer and Bin Cabinets work with space-saving 13" deep shelving or Heavy Duty 16" shelving. **Order mounting kit separately.**

DRAWER UNITS



PACK RAT® Drawer Units

MODEL	HEIGHT	WIDTH	COMPARTMENTS	DIVIDERS	WEIGHT
STEEL UNITS					
301-3	12½"	30"	3	12	169 lbs.
303-3	12½"	39¾"	4	12	217 lbs.
304-3	9"	30"	2	6	220 lbs.
305-3	9"	10¼"	1	6	106 lbs.
306-3	9"	20"	2	12	179 lbs.
307-3	9"	30"	3	18	247 lbs.
308-3	9"	39¾"	4	24	322 lbs.
308-5	9"	39¾"	4	24	322 lbs.
312-3	9"	30"	3	12	151 lbs.
334-3	12½"	30"	2	6	245 lbs.
335-3	12½"	10¼"	1	6	130 lbs.
336-3	12½"	20"	2	12	210 lbs.
337-3	12½"	30"	3	18	294 lbs.
338-3	12½"	39¾"	4	24	383 lbs.
338-5	12½"	39¾"	4	24	383 lbs.
ALUMINUM UNITS					
310-3-01	14½"	11¾"	1	0	56 lbs.



- Lightweight Aluminum Drawers carry up to 75 lbs. each
- Units Can be stacked as needed for additional storage
- Roller mounted drawers glide open to full extension
- Adjustable drawer dividers offer greater flexibility
- Anti-Skid Strips provide traction for wet and muddy boots

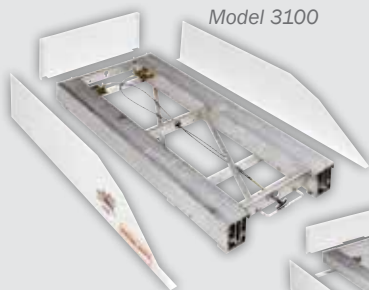
ITEMIZER® Drawer Units

MODEL	DRAWERS	HEIGHT	WIDTH	DEPTH	WEIGHT
314-3	1	6¾"	12¼"	49"	26 lbs.
316-3	2 Lateral	6¾"	24"	49"	55 lbs.
317-3	3 Lateral	6¾"	36"	49"	85 lbs.
318-3	4 Lateral	6¾"	48"	49"	110 lbs.
326-3	2 Stacked	12¼"	12¼"	49"	48 lbs.
327-3	3 Stacked	17¾"	12¼"	49"	71 lbs.
328-3	4 Stacked	23½"	12¼"	49"	92 lbs.

These storage solutions conveniently increase your storage space by placing small equipment at your fingertips without the need to crawl inside the van. Drawer dividers provide an extensive array of organizing options.

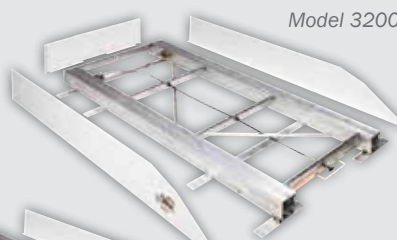
FOR FULL-SIZE VAN SIDE DOOR

Model 3100



FOR FULL-SIZE VAN & MINIVAN REAR DOOR

Model 3200



FOR LONG WHEEL BASE FULL-SIZE VAN REAR DOOR

Model 3400



Extend your van's workspace and bring heavy loads to you, instead of bending in to get them, with this sliding platform. Sized to fit your work needs, BED RAT® Sliding Platforms are available for both side and rear door openings.

BED RAT® Sliding Platforms

MODEL	HEIGHT	WIDTH	DEPTH	WEIGHT
3100	4¾"	22"-44¾"	54"	97 lbs.
3200	4¾"	44¾"	68"	123 lbs.
3400	4¾"	44¾"	90"	155 lbs.

EZGlide2™ DROP-DOWN LADDER RACK

EASIEST TO OPERATE

50% less effort to operate than competitor drop-down ladder racks, reducing strain on the operator

LIGHTEST WEIGHT

Drop-down ladder rack available

- Maximize fuel economy
- Maximize carrying capacity

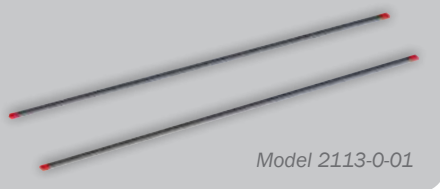
MOST VERSATILE

- Up to 40' extension ladders
- 3' - 12' stepladders
- Conduit carriers



STEP
1

CHOOSE A MOUNTING KIT



Model 2113-0-01

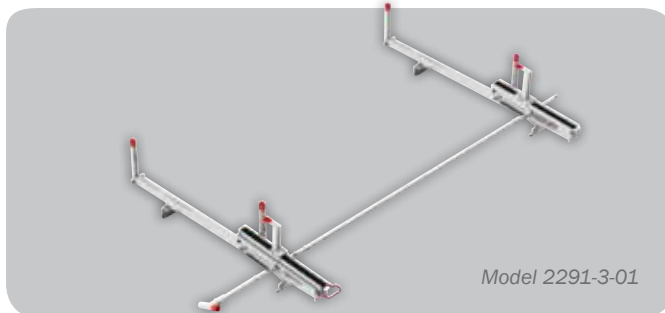
Mounting Kits

MODEL	DETAILS	WEIGHT
2113-0-01	Mounting Channel Kit for Nissan NV Low Roof	15 lbs.
2085-0-01	Mounting Channel Kit for Nissan NV200 and Nissan NV High Roof	15 lbs.

STEP
2

SELECT A DROP-DOWN LADDER RACK ASSEMBLY

(Single-Side Only with Crossmembers)



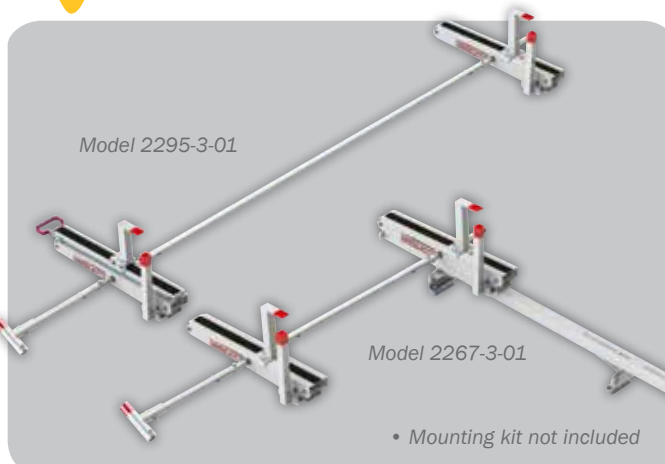
Model 2291-3-01

Drop-Down Ladder Rack Assemblies Fits 20' - 40' Extension, 10' - 12' Step and 6' - 10' Podium. For shorter ladders order 70513 drive tube. Drop-down can mount on driver or passenger side.

MODEL	DETAILS	WEIGHT
2291-3-01	Extended Drop-Down for Mid-Roof/High-Roof Vans (Includes Two 70" Cross Members & 89" Center Tube)	77 lbs.
2271-3-01	Fixed Drop-Down for Low-Roof vans (Includes Two 70" Cross Members & 89" Center Tube)	77 lbs.
2261-3-01	Fixed Drop-Down for Compact Vans (Includes Two 60" Cross Members & 70" Center Tube)	83 lbs.

OPTIONAL

MAKE IT A DUAL DROP-DOWN LADDER RACK



Model 2295-3-01

Model 2267-3-01

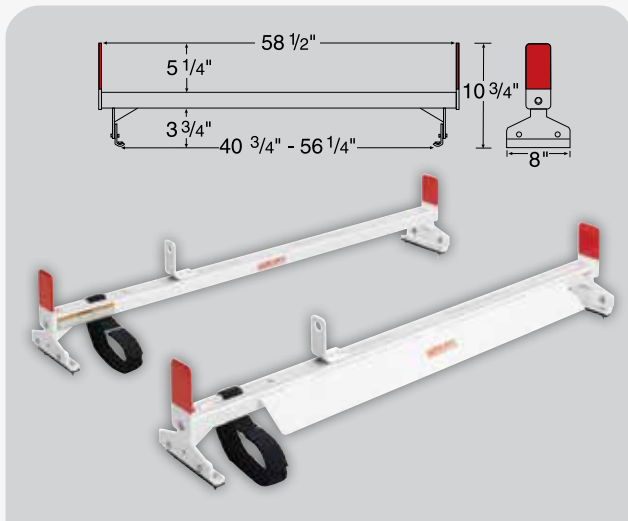
• Mounting kit not included

Dual Drop-Down Ladder Rack Assemblies

Long ladder kits fit 20' - 40' Extension, 10' - 12' Step and 6' - 10' Podium. Short ladder kits include center cross member to carry shorter ladders on opposite side.

MODEL	DETAILS	WEIGHT
2295-3-01	Extended Drop-Down Long Ladder Kit for Mid-Roof/High-Roof Vans (Includes 89" Center Tube)	48 lbs.
2297-3-01	Extended Drop-Down Short Ladder Kit for Mid-Roof/High-Roof Vans (Includes 70" Cross Member & 36" Center Tube)	55 lbs.
2275-3-01	Fixed Drop-Down Long Ladder Kit for Full Size Vans (Includes 89" Center Tube)	51 lbs.
2277-3-01	Fixed Drop-Down Short Ladder Kit for Full Size Vans (Includes 70" Cross Member & 36" Center Tube)	57 lbs.
2265-3-01	Fixed Drop-Down Long Ladder Kit for Compact Vans (Includes 70" Center Tube)	58 lbs.
2267-3-01	Fixed Drop-Down Short Ladder Kit for Compact Vans (Includes 60" Cross Member & 36" Center Tube)	61 lbs.

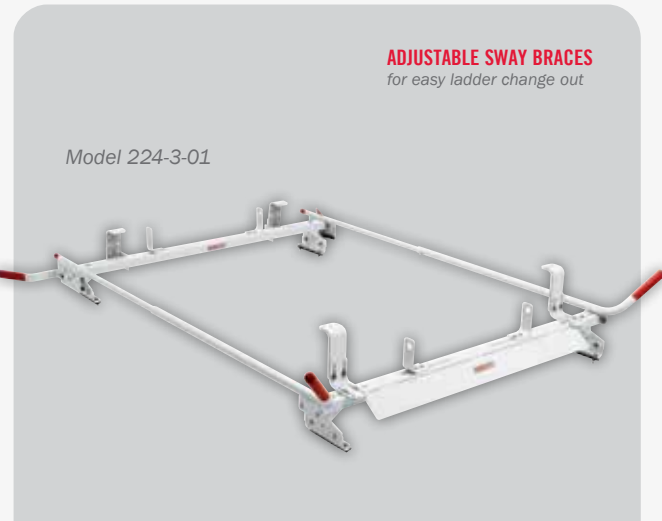
FOR NISSAN NV AND NV200 VANS



Powder Coated Aluminum Rack for Compact Vans

MODEL	DETAILS	WEIGHT
218-3 ¹	2 Cross Member Rack	25 lbs.
222-3 ²	Accessory Cross Member	13 lbs.

1. Nissan NV200 and NV High Roof Vans
2. Nissan NV Low Roof



Quick Clamp Racks Compact Vans

MODEL	DETAILS	WEIGHT
223-3-01 ¹	Single clamp on the curb side only	41 lbs.
224-3-01 ²	Dual clamp on the street and curb side	46 lbs.

1. Nissan NV200
 2. Nissan NV Low Roof
- Not recommended for High Roof Vans

SLIDING LADDER RACK

Our Sliding Ladder Rack provides quick and easy ladder storage inside your van. Rugged and durable, this rack fits 8-foot step, extension, or multi-position ladders and can be mounted to the roof.

UNIVERSAL MOUNTING BRACKET
adjusts to different vehicles

ROOF MOUNTING BRACKET
is provided for horizontal installation

SAFETY CABLE
secures ladder in place

TENSION CORD GUIDE
prevents cords from tangling

ADJUSTABLE CRADLE
accommodates different types of ladders

3-PIECE RAIL ASSEMBLY
accepts up to an 8' ladder



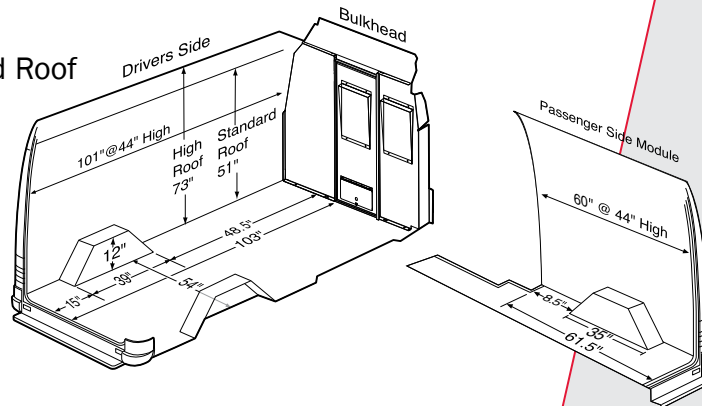
All-Purpose Ladder Racks

MODEL	DETAILS	WEIGHT
250	Sliding Ladder Rack	27 lbs.





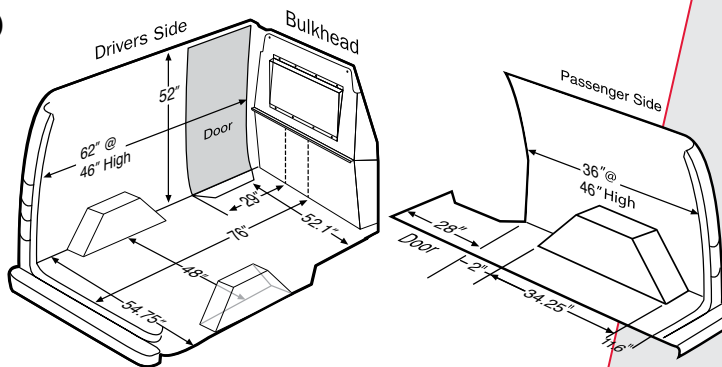
Nissan NV
Standard & Extended Roof
INTERIOR DIMENSIONS



The dimensions shown in this guide refer to model year 2014 Nissan NV Van. You should always measure your van carefully to make sure the equipment you choose will fit properly.

Note: Verify the location of the gas tank before installing any equipment.

Nissan NV200
INTERIOR DIMENSIONS



Note: Verify the location of the gas tank before installing any equipment.



LIMITED LIFETIME WARRANTY

Knaack LLC (the Manufacturer) warrants to the original purchaser, only, that WEATHER GUARD® van products (the "WEATHER GUARD Product") will be free from defects in material and workmanship from the date of purchase and continuing for the expected lifetime of the WEATHER GUARD Product. Please call our customer service department toll free at 1.800.456.7865 with any questions or comments.

DO NOT use these products for storing or transporting flammables, explosives, hazardous materials or waste, such as gasoline, solvents, gun powder, dynamite, gases or any tanks, torches or gas powered equipment. These products are intended and safe for storing and transporting small tools and other non-combustible, non-flammable materials. Any modification made to, or unintended use of, these products may create a dangerous condition causing death, serious bodily injury or property damage.

NOTICE

Any modification or unintended use of these products shall immediately void all manufacturers warranties. Manufacturer disclaims all liability for injuries to persons or property resulting from any modification to, or unintended use of these products.

Ford Transit Connect, Nissan NV, Mercedes Sprinter, and Dodge RAM CV are registered trademarks of their respective owners.

For information on the WEATHER GUARD® Van Solutions Limited Lifetime Warranty, visit www.weatherguard.com
To order more WEATHER GUARD® Van Solutions OEM brochures, please call us at **800.456.7865**



©2015 Knaack, LLC. All rights reserved.

CONTACT YOUR LOCAL DISTRIBUTOR/UPFITTER